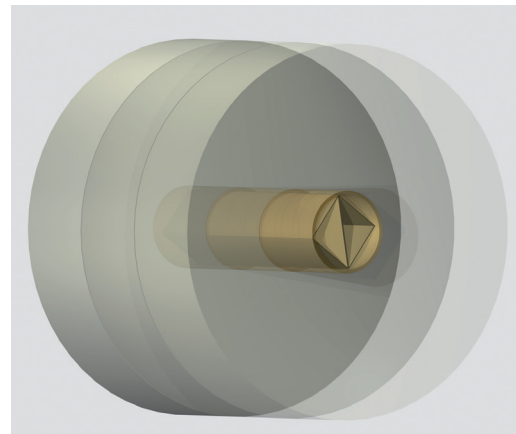
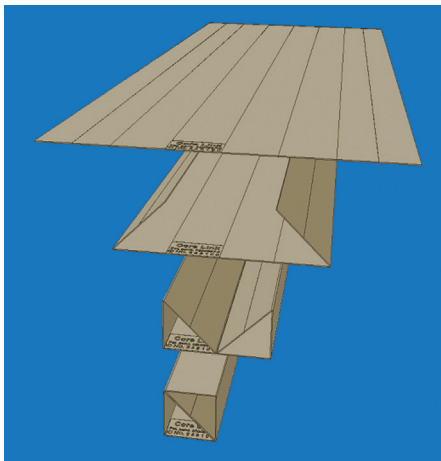


## CLICS<sup>®</sup> Cost effective multi roll packaging. Patented solution using folded cores for packing of paper rolls

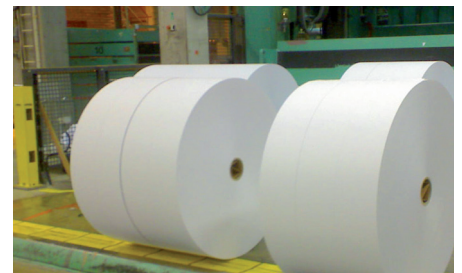
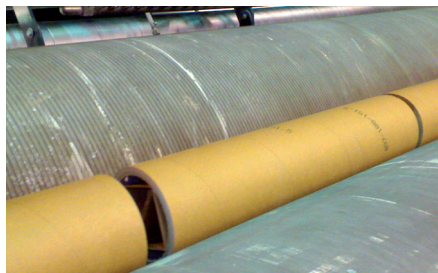
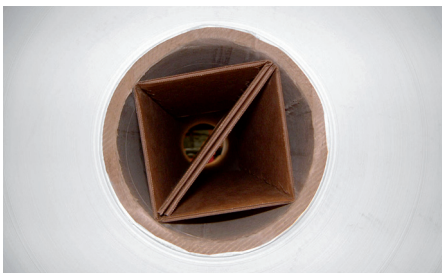


*CLICS<sup>®</sup> - Core Link Inner Core System, Patented 2007*

The basis of the patented CLICS concept is to create an inner core from a flat material. The pre-shaped material comes on a roll or as sheets and are formed to an inner core just before insertion. Different shape designs give required performance.

#### Advantages:

- Less storage space
- Lower transport costs
- Easy to make fully automatic
- Can be made with or without grip
- Inserted before or after the winder



*The first fully automatic unit integrated with a core handling system was installed during 2007, contact us for references.*

#### Contact us for more information:

Core Link AB  
Sweden  
Tel. +46 346 56800

Core Link AG  
Switzerland  
Tel. +41 41 760 3432

Core Link Inc.  
USA  
Tel. +1 920 574 2121

Core Link Oy  
Finland  
Tel. +358 19 532 335